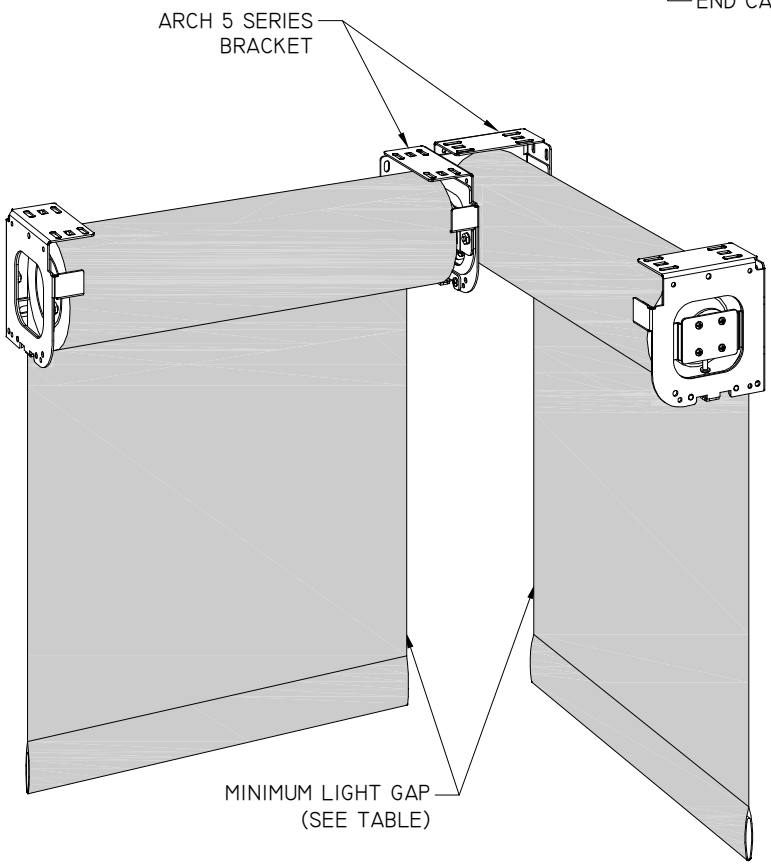


MINIIMUM LIGHT GAP		
QMT 5	2.50" Smooth	4 1/4" [108mm]



ARCH 5 SERIES SINGLE SHADE
 BUTT AND PASS REGULAR ROLL
 CORNER CONDITION

CRESTRON

15 Volvo Drive
 Rockleigh NJ 07647
 Tel: 888-273-7876
 www.crestron.com

DWG. # MA5-401
 SCALE: 6" = 1'-0"
 DATE: 9.29.2015
 REV.: