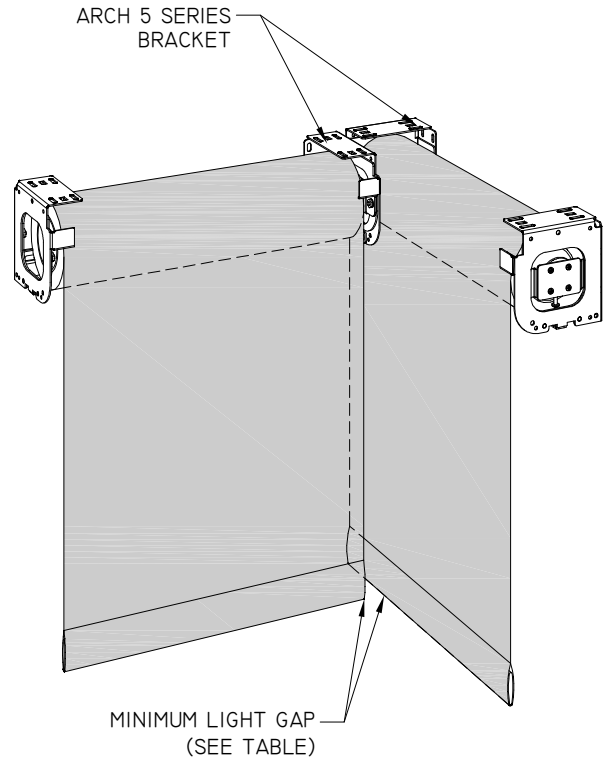


MINIIMUM LIGHT GAP		
QMT 5	2.50" Smooth	1" [26mm]



QMT5 ARCHITECTURAL BRACKET SINGLE SHADE  
 BUTT AND PASS REVERSE ROLL  
 CORNER CONDITION

**CRESTRON**  
 15 Volvo Drive  
 Rockleigh NJ 07647  
 Tel: 888-273-7876  
 www.crestron.com

DWG. # MA5-402  
 SCALE: 6" = 1'-0"  
 DATE: 9.29.2015  
 REV: [ ]