

SSC Series

Room Availability Hallway Sign, Ceiling Mount

DO Mount the Assembly

The Crestron® SSC room availability hallway sign installs into a conventional drywall or dropped tile ceiling. After installation, the SSC protrudes 5.18 in (132 mm) below the ceiling surface.

To mount the SSC assembly into the ceiling:

NOTE: Confirm that there are no fixtures, air ducts, joists, or other possible obstructions in the mounting location that may impede installation. Use a stud finder tool to help locate joists.

1. After checking for obstructions, trace an outline of the mounting hole directly onto the drywall ceiling or dropped ceiling tile with the included 2 x 10.4 in (51 x 264 mm) template.
2. Cut around the outline using an appropriate drywall saw to create the mounting hole.

NOTE: The minimum mounting depth is 1.5 in (39 mm) for use with USB, while the minimum mounting depth is 2.5 in (64 mm) for use with a Cresnet® network connection. For more information, refer to the product's table of specifications on the Crestron website.

3. Make all necessary cable connections to the assembly as described in the "DO Connect the Device" section below.

NOTE: Observe all local building codes when running cables through the ceiling from the power source to the installation location.

4. Insert the assembly, top side first, into the mounting hole until the bottom lip of the assembly engages the bottom of the ceiling.
5. While holding the assembly in position, carefully tighten the four screws attached to the bottom of the assembly until the swiveling dogs attached to the screws are secured in place against the ceiling. Do overtighten the screws.

CAUTION: Set the screwdriver torque to its lowest possible setting to avoid stripping the swiveling dogs and damaging the ceiling. If removing the assembly from the ceiling, ensure that the screwdriver rotation is set correctly before untightening the screws.

DO Connect the Device

The SSC may be powered and controlled by a Crestron TSS-7, TSS-10, TSW-760, or TSW-1060 touch screen via USB, or by a Crestron control system or DMPS3 device via Cresnet. Both connection methods are described below.

NOTE: The included USB cable is plenum rated for ceiling installations. If the installation requires Cresnet cables, use plenum rated Cresnet cables.

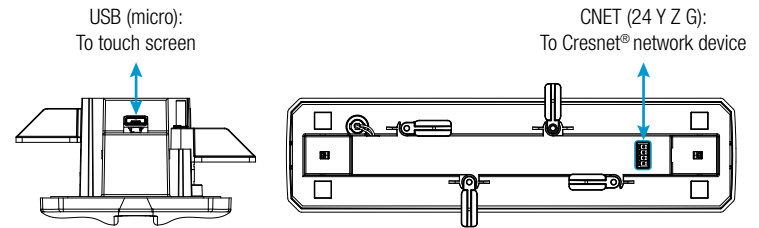
- **USB:** Use the included USB cable to connect the SSC to the touch screen. Connect the cable's USB A connector to the touch screen and the micro USB connector to the SSC assembly. Out-of-the-box functionality is established via the touch screen room scheduling application, with no programming required.

NOTE: The TSS-7 and TSW-760 may use either PoE (Power over Ethernet) or PoE+ to supply power to the SSC over USB, but the TSS-10 and TSW-1060 must use only PoE+ to supply power to the SSC.

DO Check the Box

QTY	ITEM	PART NUM.
1	Bezel, Ceiling Sign	4526150
1	Cable, USB 2.0, A - Micro B, 15 ft (4.57 m), Plenum Rated	2049072
1	Connector, 4-Pin	2003576
1	Template, Cutout	4526484

- **Cresnet:** Use any standard, plenum rated Cresnet cable and the included 4-pin terminal block to connect the SSC to a Crestron control system or DMPS3 device. The SSC is powered and controlled over Cresnet via programming in SIMPL Windows or Crestron Studio® software.



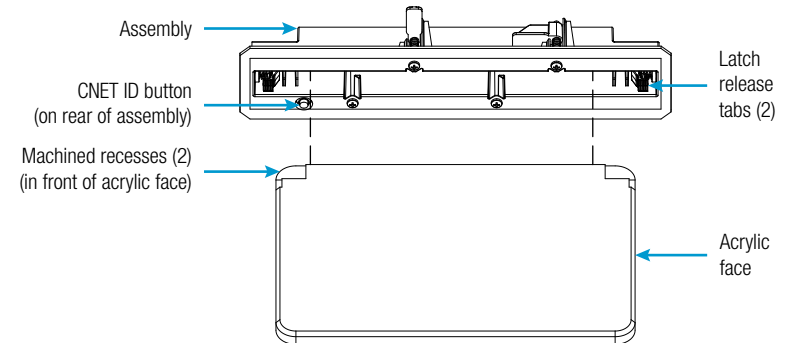
NOTE: The **CNET ID** button on the bottom of the assembly is used to identify the device on the network using the Network Tree Device View in Crestron Toolbox™ software. For more information, refer to the embedded Crestron Toolbox help file.

The brightness of the SSC may be custom programmed as follows:

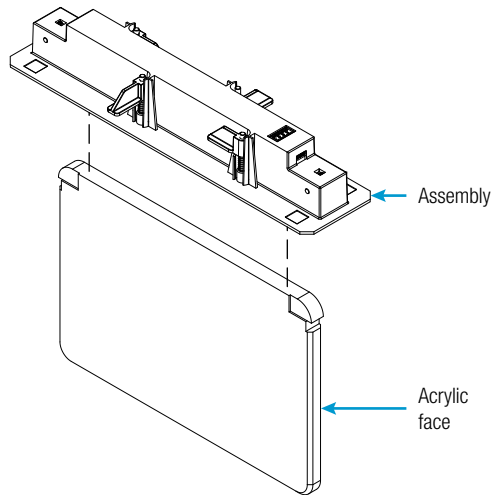
- If the SSC is connected to a touch screen, brightness is controlled by sending a custom property to the touch screen in Crestron Fusion® software. For more information, refer to the embedded Crestron Fusion help file.
- If the SSC is connected to a control system, brightness is controlled via custom programming in SIMPL Windows or Crestron Studio. For more information, refer to the embedded SIMPL Windows or Crestron Studio help files.

DO Complete the Installation

1. Align the acrylic face (included with the SSC kit or purchased separately) with the assembly so that the side of the acrylic face with the machined recesses is facing away from the side of the assembly with the CNET ID button.

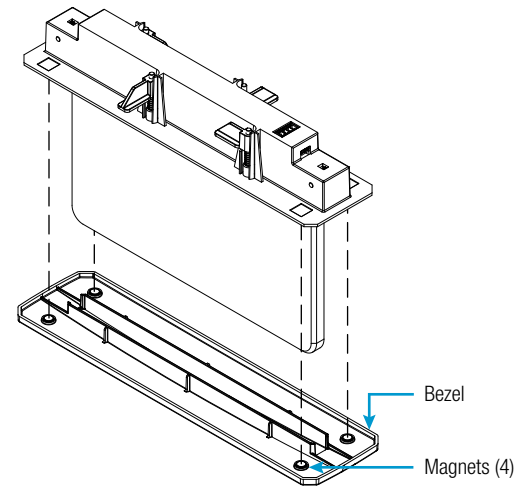


2. Push the acrylic face, top side first, up against both of the spring-loaded latches evenly. As pressure is applied, the latches “click” to engage the acrylic face to the assembly.



NOTE: Install the acrylic face into the assembly evenly so that the grooves in the top of the acrylic face engage both hinges at the same time. The acrylic face does not install easily into the assembly when inserted at an angle.

3. Slide the included bezel carefully up and over the acrylic face until the magnets on the bezel snap into place against the assembly.



DO Learn More

Visit the website for additional information and the latest firmware updates. To learn more about this product, use a QR reader application on your mobile device to scan the QR image.

Crestron Electronics
15 Volvo Drive, Rockleigh, NJ 07647
888.CRESTRON | www.crestron.com



This product is Listed to applicable UL® Standards and requirements tested by Underwriters Laboratories Inc. Ce produit est homologué selon les normes et les exigences UL applicables par Underwriters Laboratories Inc.

Federal Communications Commission (FCC) Compliance Statement

This device complies with part 15 of the FCC Rules. Operation is subject to the following two conditions:

(1) This device may not cause harmful interference, and (2) this device must accept any interference received, including interference that may cause undesired operation.

CAUTION: Changes or modifications not expressly approved by the manufacturer responsible for compliance could void the user’s authority to operate the equipment.

NOTE: This equipment has been tested and found to comply with the limits for a Class B digital device, pursuant to part 15 of the FCC Rules. These limits are designed to provide reasonable protection against harmful interference in a residential installation. This equipment generates, uses and can radiate radio frequency energy and, if not installed and used in accordance with the instructions, may cause harmful interference to radio communications. However, there is no guarantee that interference will not occur in a particular installation.

If this equipment does cause harmful interference to radio or television reception, which can be determined by turning the equipment off and on, the user is encouraged to try to correct the interference by one or more of the following measures:

- Reorient or relocate the receiving antenna.
- Increase the separation between the equipment and receiver.
- Connect the equipment into an outlet on a circuit different from that to which the receiver is connected.
- Consult the dealer or an experienced radio/TV technician for help.

Industry Canada (IC) Compliance Statement

CAN ICES-3(B)/NMB-3(B)

The specific patents that cover Crestron products are listed at www.crestron.com/legal/patents.

The product warranty may be found at www.crestron.com/legal/sales-terms-conditions-warranties.

Certain Crestron products contain open source software. For specific information, please visit www.crestron.com/legal/open-source-software.

Crestron, the Crestron logo, Cresnet, Crestron Fusion, Crestron Studio, and Crestron Toolbox are either trademarks or registered trademarks of Crestron Electronics, Inc. in the United States and/or other countries. UL and the UL logo are either trademarks or registered trademarks of Underwriters Laboratories, Inc. in the United States and/or other countries. Other trademarks, registered trademarks, and trade names may be used in this document to refer to either the entities claiming the marks and names or their products. Crestron disclaims any proprietary interest in the marks and names of others. Crestron is not responsible for errors in typography or photography.

This document was written by the Technical Publications department at Crestron.

©2018 Crestron Electronics, Inc.